



SAFETY ASSESSMENT
FEDERATION

Guidance

Pressure Systems Safety Regulations 2000

In-Service (post-commission) Non-Destructive Testing required by the Written Scheme of Examination (WSE) in compliance with the Pressure Systems Safety Regulations 2000.

REFERENCE: NDTC 02
ISSUE: 03
DATE: 22/10/2018

DOCUMENT INFORMATION:

REFERENCE:	NDTC 02
ISSUE:	03
DATE:	22/10/2018
PREPARED BY:	NDT Committee (TC5)
APPROVED BY:	TC 1 and Technical Steering Committee

DOCUMENT HISTORY RECORD:

ISSUE:	DATE:	CHANGE DETAIL:
01	2001	Initial Document
02	2016	Document Review
03	22/20/2018	Document review

© The Safety Assessment Federation Ltd

All rights reserved. Except for normal review purposes, no part of this publication may be reproduced, utilised, stored in a retrieval system or transmitted in any form by any means electronic or mechanical, including photocopying, recording or by any information, storage or retrieval system without the written permission of the publisher.

CONTENTS

SITUATION 1

GUIDANCE..... 1

1. Item Tested..... 1

2. Test Requirement 1

3. Procedure 1

4. Equipment 1

5. Calibration Block..... 2

6. Operator Details 2

7. Couplant..... 2

8. Probe Details..... 2

9. Sensitivity..... 2

10. Scanning 2

11. Joints Examined..... 2

12. Defect Location 3

13. Results 5

SITUATION

When reporting the results of ultrasonic non-destructive testing of a shell boiler as detailed within the SAFed publication "Guidelines for the Examination of Endplate-to-Furnace and Shell Welded Boiler Joints (SBG1)" (Update to AOTC GN4), it is important that sufficient details are provided to enable an accurate assessment of boiler condition to be made. The purpose of this Guidance is to provide common reporting features that are to be used within SAFed member companies to enable reports to be produced that are beyond comment in the open market and that unambiguously meet the requirements of the SAFed publication "Guidelines for the Examination of Endplate-to-Furnace and Shell Welded Boiler Joints (SBG1)".

GUIDANCE

Ultrasonic reports should include the following information:

1. Item Tested

Boiler make & Serial No. Diameters of boiler. Date of manufacture of boiler. Date of test.

2. Test Requirement

This should state that the main purpose of the examination is:-

- A. to detect cracking from the toe of the internal weld/weld root areas.,
- B. to locate and size buried defects,
- C. verification of buried defects or incomplete penetration, (for subsequent inspections i.e. after initial inspection undertaken to the above requirements. Sizing required only where initial inspection showed defects greater than threshold limit.)

In accordance with SAFed publication "SBG1 - Guidelines for the Inspection of Endplate-to-Furnace and Shell Welded Boiler Joints".

3. Procedure

Refer to procedure and technique used.

4. Equipment

Manufacturer, Type, Serial No.

5. Calibration Block

Type, Serial No.

6. Operator Details

Name and certification status including PCN No.

7. Couplant

As used.

8. Probe Details

Make, Serial No., type, angle and frequency.

9. Sensitivity

Test sensitivity and evaluation/recording levels applied [DAC + XdB]:

- Method of correction employed to attenuation and transfer loss.
- Calibrated range should be quoted as part of sensitivity to provide repeatability of testing undertaken.

10. Scanning

Highlight scanning area and probes used on joints examined.

11. Joints Examined

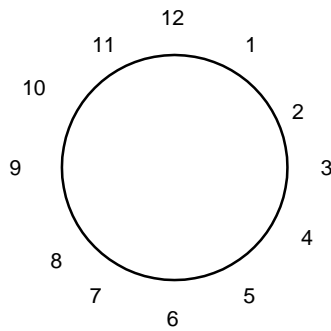
Details of the joints examined should be included by description or drawing along with the percentage inspection and any limitations.

12. Defect Location

Sketches relating to the joint design should represent, as far as possible, the boiler design. Differences between single and double sided welds should be clearly shown in the sketches.

A. 100% inspections

All defects should be reported against a permanent datum, e.g. clock face.

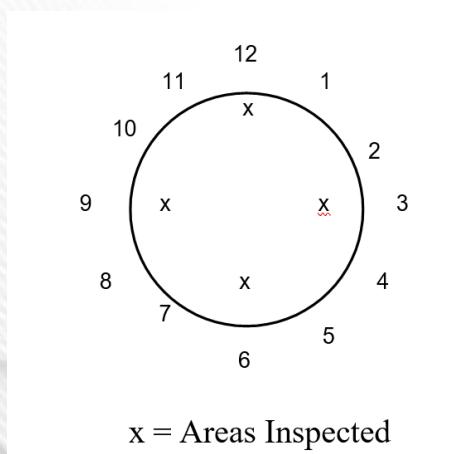


100% Inspection

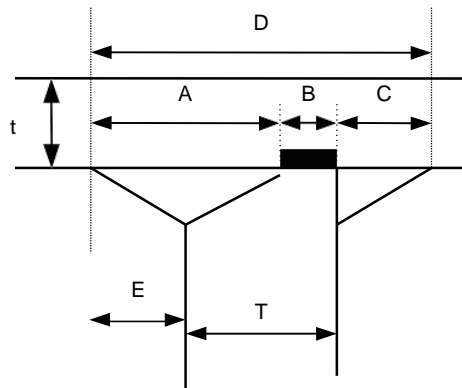
B. Percentage inspections

For percentage inspection both the location and size of areas examined should be included for future reference/repeatability.

e.g. shell joints:-

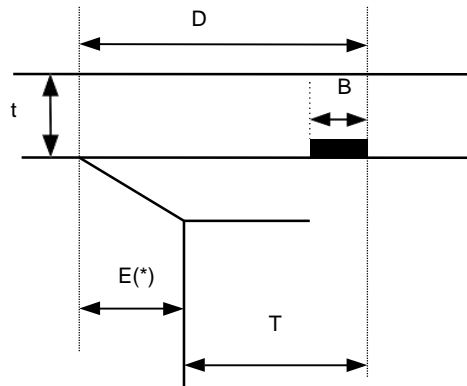


C. Double Sided Welds



Location	Length Examined	A	B	C	D	E
1	-	-	-	-	-	-
2	-	-	-	-	-	-
3	340	12	3	15	30	5
4	-					
5	-					
6	350					
7	-					
8	-					
9	380					
10	-					
11	420					
12	-					

D. Single Sided Welds



Location	Length Examined	B	D	E
1	-	-	-	-
2	-	-	-	-
3	340	0	30	5
4	-			
5	-			
6	350			
7	-			
8	-			
9	380			
10	-			
11	420			
12	-			

13. Results

- State the presence, or not, of any cracking or buried defects along with their relevant location and size Any such defects should be recorded against a permanent datum.
- Comment on parent material quality.
- Any limitation of test.